



SSDR

DR Rack Pinions

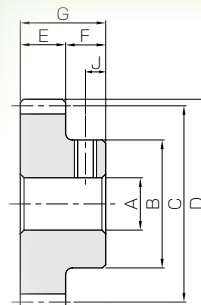
Module 0.8, 1, 1.5, 2

**NEW
Lineups!**



Specifications	
Precision grade	JIS grade N8 (JIS B1702-1:1998) * JIS grade 4 (JIS B1702:1976)
Gear teeth	Standard full depth
Pressure angle	20°
Material	S45C
Heat treatment	—
Tooth hardness	less than 194HB

* The precision grade of products with a module of less than 0.8 is equivalent to the value shown in the table.



S1T

Catalog No. <small>New items indicated in blue letters.</small>	Module	No. of teeth	Shape	Bore	Hub dia.	Pitch dia.	Outside dia.	Face width	Hub width	Total length	Threaded hole	
				A _{H7}	B	C	D	E	F	G	Thread size	J
SSDR0.8-35	m0.8	35	S1T	5	16	28	29.6	3	7	10	M4	3.5
SSDR1-30	m1	30	S1T	6	20	30	32	4	8	12	M4	4
SSDR1.5-20	m1.5	20	S1T	6	20	30	33	5	10	15	M4	5
SSDR2-15	m2	15	S1T	8	22	30	34	6	10	16	M5	5

[Caution on Product Characteristics]

- For products with a tapped hole, a set screw is included.
- The allowable torques shown in the table are calculated values according to the assumed usage conditions. Please see page 35 for more details.

Allowable torque (N · m)	Allowable torque (kgf · m)	Weight (g)	Catalog No.
Bending strength	Bending strength		<small>New items indicated in blue letters.</small>
2.59	0.26	23.5	SSDR0.8-35
4.46	0.45	38.6	SSDR1-30
7.35	0.75	48.4	SSDR1.5-20
10.4	1.06	56.1	SSDR2-15



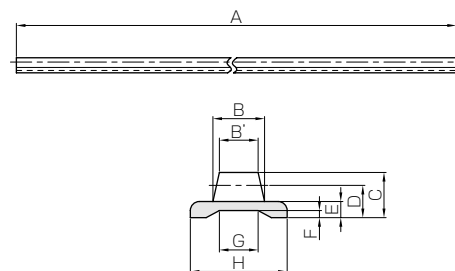
DR

Molded Flexible Racks

Module 0.8, 1, 1.5, 2



Specifications	
Precision grade	KHK R 001 grade 8
Gear teeth	Standard full depth
Pressure angle	20°
Material	Duracon (M25-44)
Heat treatment	—
Tooth hardness	110 ~ 120HRR



* We also accept special orders for longer racks over 2 m.

R4

Catalog No.	Module	Effective no. of teeth	Shape	Total length	Face width	Height	Height to pitch line	Thickness of base	Depth of groove	Width of groove	Width of base
				A	B	C	D	E	F	G	H
DR0.8-2000	m0.8	R4	2000	3.8	3	3.3	2.5	1.5	0.7	3.7	8
DR1-2000	m1	R4	2000	5	4	4.3	3.3	2	0.9	4.9	10
DR1.5-2000	m1.5	R4	2000	6.5	5	5.7	4.2	2.3	1	8	12
DR2-2000	m2	R4	2000	8	6	7	5	2.5	1.1	10.1	15

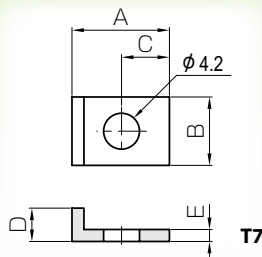
[Caution on Product Characteristics]

- The allowable forces shown in the table are the calculated values according to the assumed usage conditions. Please see page 283 for more details.
- To use the molded flexible rack with a 20 tooth pinion, the radius of curvature for an external or internal arc must be greater than 150mm.
- Molded Flexible Racks are not suitable for use when positioning accuracy is required.
- To find the dimensional tolerance of these racks, please see the Dimensional Tolerance Table. The overall length tolerance is ±10mm.

Allowable force (N)	Allowable force (kgf)	Weight (kg)	Catalog No.
Bending strength	Bending strength		<small>New items indicated in blue letters.</small>
112	11.4	0.036	DR0.8-2000
161	16.4	0.060	DR1-2000
161	16.5	0.085	DR1.5-2000
265	27.0	0.12	DR2-2000

DR-related products Now on Sale !

Products for DR SRS Rack Clamps



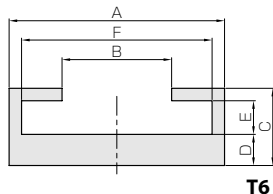
■ Rack Clamps Material: SS400 (Unichromic Plating)

Catalog No.	Shape	A	B	C	D	E	F	Weight (g)
SRS-1	T7	10.2	8	4.5	2.7	1.2	—	1
SRS-2	T7	11.4	8	5.6	3.9	1.4	—	1

[Caution on Product Characteristics]

① Cross-recessed machine head screw (M4 × 12) is included as an accessory.

Products for DR ARL Rack Guide Rails



■ Rack Guide Rails Material: Aluminum (A6063S-T5) Total Length : 1000mm

Catalog No.	Shape	A	B	C	D	E	F	Weight (kg)
ARL-0.8	T6	10.3	4.4	4.7	2	1.7	8.3	0.30
ARL-1	T6	12.3	5.6	5.2	2	2.2	10.3	0.40
ARL-1.5	T6	14.3	7.2	5.5	2	2.5	12.3	0.50
ARL-2	T6	17.3	8.8	6.2	2.5	2.7	15.3	0.70

Products for DR Molded Flexible Racks

Molded Flexible Racks	Rack Clamps	Rack Guide Rails	DR Rack Pinions
DR0.8-2000	SRS-1	ARL-0.8	SSDR0.8-35
DR1-2000	SRS-1	ARL-1	SSDR1-30
DR1.5-2000	SRS-2	ARL-1.5	SSDR1.5-20
DR2-2000	SRS-2	ARL-2	SSDR2-15



Now available for Free!

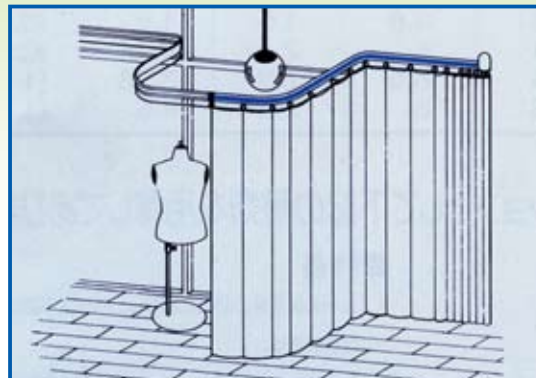
KHK3010 Catalog

We accept your applications at our web site, or by Fax.

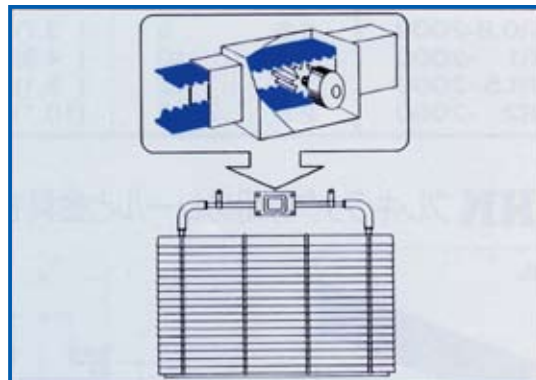
Not only as a product catalog, also useful as a general reference and an illustrated guide to learn more about Gears. We hope you have the opportunity to get a copy of our catalog and make the best use of it!

DR Molded Flexible Rack Applications

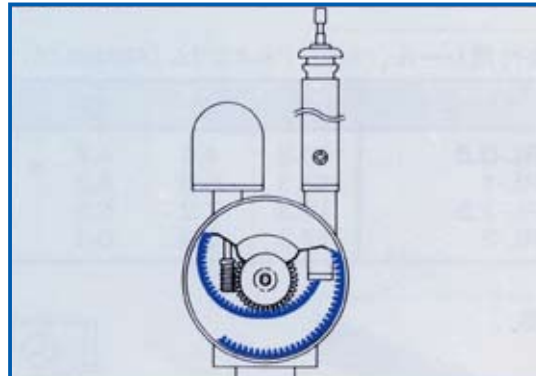
By fastening the positions of the pinions and adjusting the shape freely, DS Molded Flexible Racks can be used for various uses.



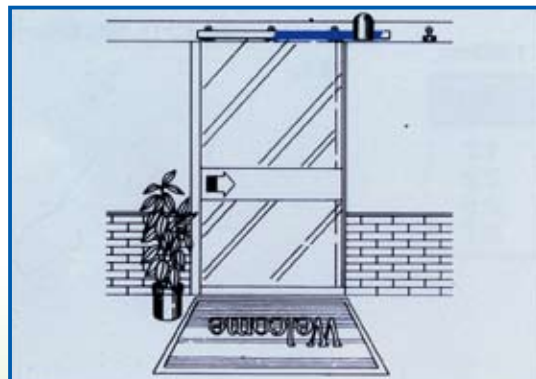
Motor Drive Curtain



Double Window with a built-in Blind



Motor Drive Antenna



Automatic Door

KHK CO., LTD.

13-15 Naka-cho, Kawaguchi-shi, Saitama-ken, 332-0022, Japan
TEL: 81-48-254-1744 FAX: 81-48-254-1765 E-mail: export@khkgears.co.jp

www.khkgears.co.jp/en/